

1 Link each **term** used for a bistable with its **meaning**.

term
set
reset
forbidden
active-low
active-high

meaning
output terminal is forced low
output terminal is forced high
input terminal has no effect when low
input terminal has no effect when high
input state with unreliable consequences

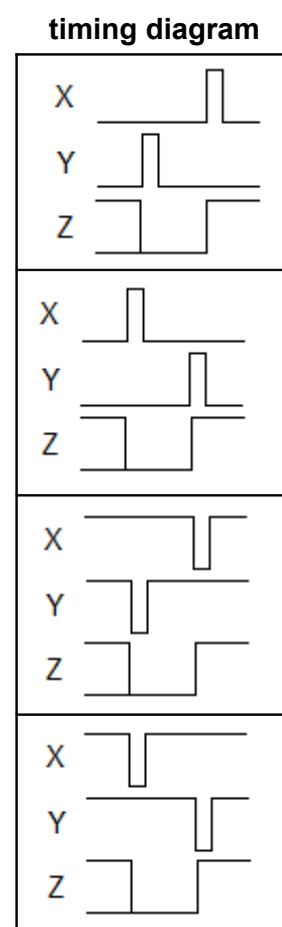
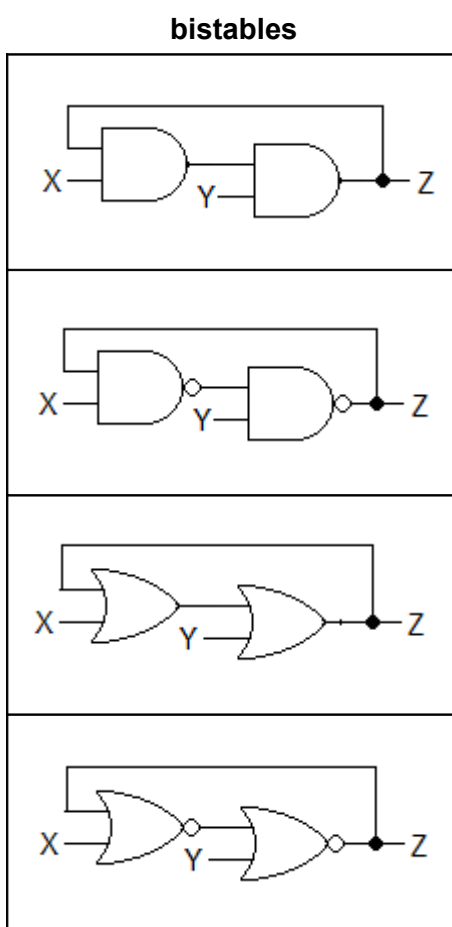
2 Link the two **bistables** with their **truth table** and **timing diagram**.

truth table		
X	Y	Z
1	1	Z
1	0	1
0	1	0

X	Y	Z
0	0	Z
1	0	1
0	1	0

X	Y	Z
1	1	Z
0	1	1
1	0	0

X	Y	Z
0	0	Z
0	1	1
1	0	0



3 Complete the sentences for a NAND gate bistable. Choose from these words.

high low reset set

The output goes high when the _____ input goes _____ .

The output remains _____ as long as both inputs are _____.

To make the output go low, the _____ input needs to go _____ .