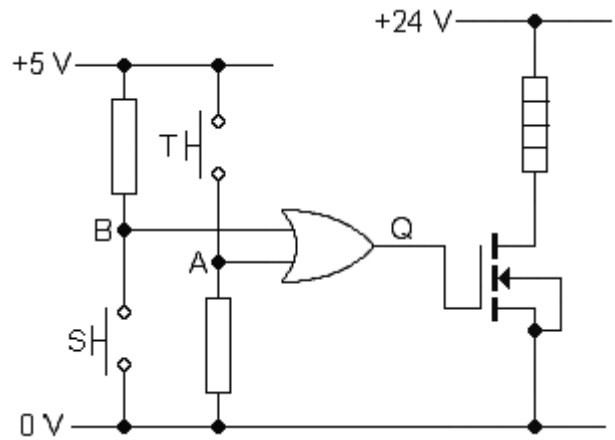


1 Link the starts and ends of these sentences about block diagrams.

start
Input blocks ...
Output blocks ...
Words in blocks ...
Processor blocks ...
Arrows between blocks ...

end
... suggest their function.
... have only arrows going in.
... show the flow of information.
... have only arrows coming out.
... have arrows going in and out of them.

2 Draw a block diagram for this circuit.



3 Complete these tables for the circuit, using only **high** and **low**.

switch T	signal A
open	
closed	

switch S	signal B
open	
closed	

signal Q	heater
	off
	on

4 Complete this table for the circuit.

switch S	switch T	B	A	Q	heater
		0	0		
		0	1		
		1	0		
		1	1		

5 Complete this sentence for the circuit.

The _____ only goes off when switch S is _____ and switch T is _____ .